



**AMERICAN SPECIALTIES, INC.**

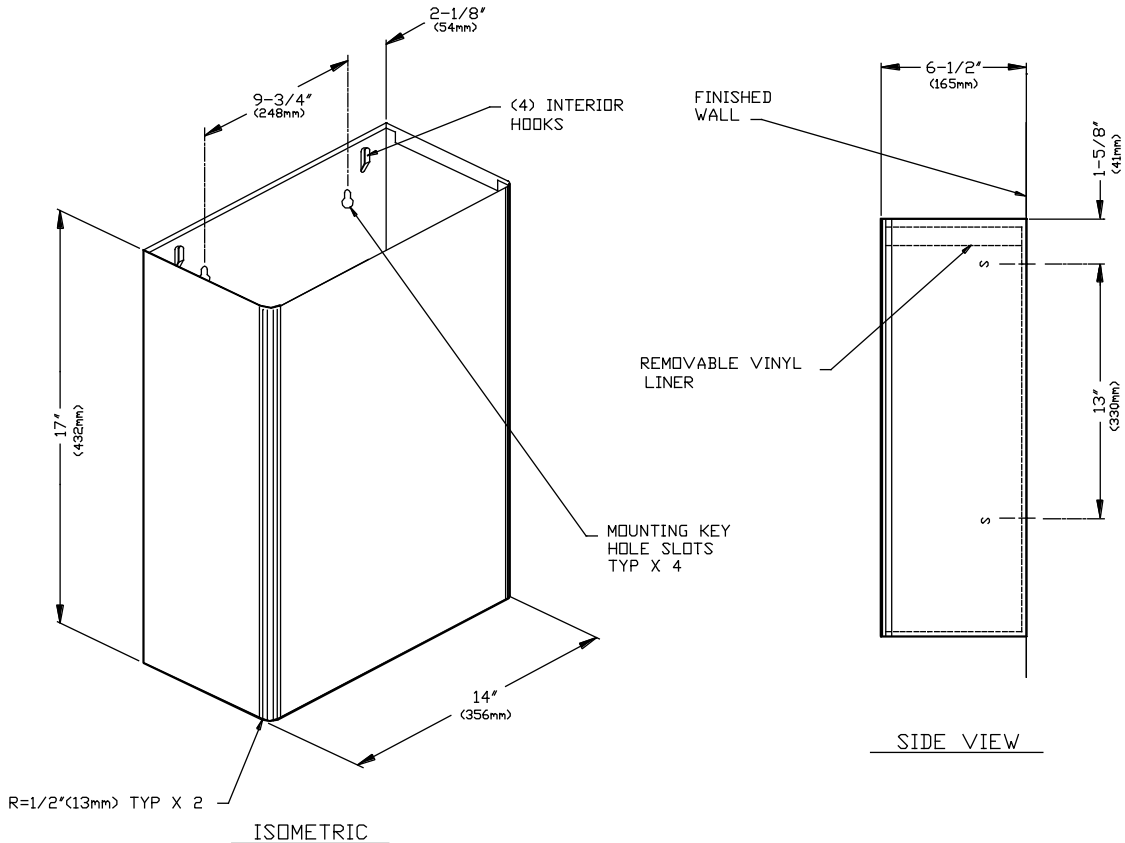
441 Saw Mill River Road, Yonkers, NY 10701 (914) 476-9000

MODEL No: 0828

ISSUED: 1-87

REVISED: 6-98

**SURFACE MOUNTED MEDIUM CAPACITY WASTE RECEPTACLE**



**SPECIFICATION**

Surface Mounted Medium Capacity Waste Receptacle shall have a capacity of 7 gal. (26 liters) and shall be fabricated of alloy 18-8 stainless steel, type 304, №22 gauge. All exposed surfaces shall have a № 4 satin finish and be protected during shipment by a PVC film easily removable after installation. Vertical front edges shall be rounded to 1/2" (13mm) radius for passer-by safety. Unit shall have no exposed fastening devices or welded seams and have hemmed top lip for user safety. A liner disposal bag of heavy gauge clear vinyl with reinforced edges and grommets shall be held in place by clips permanently mounted on inside walls of waste can.

**Surface Mounted Medium Capacity Waste Receptacle shall be Model № 0828 as fabricated by American Specialties, Inc. 441 Saw Mill River Road Yonkers, New York 10701-4913.**

**INSTALLATION**

Unit is surface mounted on wall or partition using №10 self tapping screws (supplied). Four (4) mounting holes through back are "keyhole" slots for ease in hanging unit on pre-installed screws. A top center screw hole is provided for tamper-resistant mounting. For compliance with ADA Accessibility Guidelines, unit should be installed so that top edge is between 30" (762mm) maximum above finished floor (AFF) and 23" (381mm) minimum AFF.

**OPERATION**

User deposits waste material. Maintenance schedule determines trash removal cycle. Unit is emptied by removing collection liner bag to empty into appropriate bulk collection container. Liner is washable and reusable and replacements are available should they be required.

**Accessory Specialties**

**AMERICAN DISPENSER**

**Desert Ray Products**

**WATROUS INC.**