



WASHROOM ACCESSORIES



THE ASI COLLECTIONS



The Profile Collection

While ASI offers hundreds of individual bathroom accessories, the specifying process has been greatly facilitated by the establishment of three distinct collections to serve your different needs.

PROFILE COLLECTION

This visually appealing collection with rounded edges is manufactured with highly durable 16 gauge stainless steel doors and 20 gauge cabinets. Concealed heavy-duty 3/16" (5 mm) diameter piano hinges ensure smooth and long-lived operation, and rimless keyed-alike flush tumbler locks offer strong security with an elegant look.



The Simplicity Collection

SIMPLICITY COLLECTION

This elegant collection combines seamless construction and crisp design lines to provide strength and comfort, beauty and durability, form and function. 18 gauge doors and 20 gauge cabinets conceal heavy-duty 3/16" (5 mm) diameter piano hinges. All units are keyed alike.

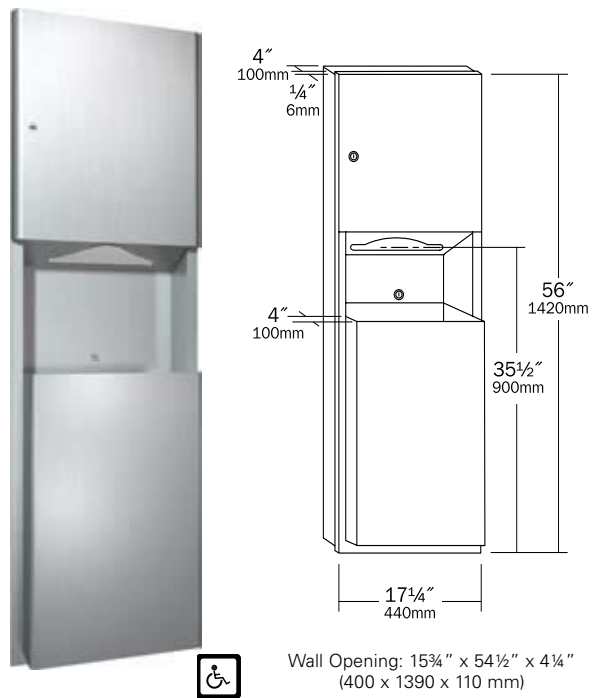
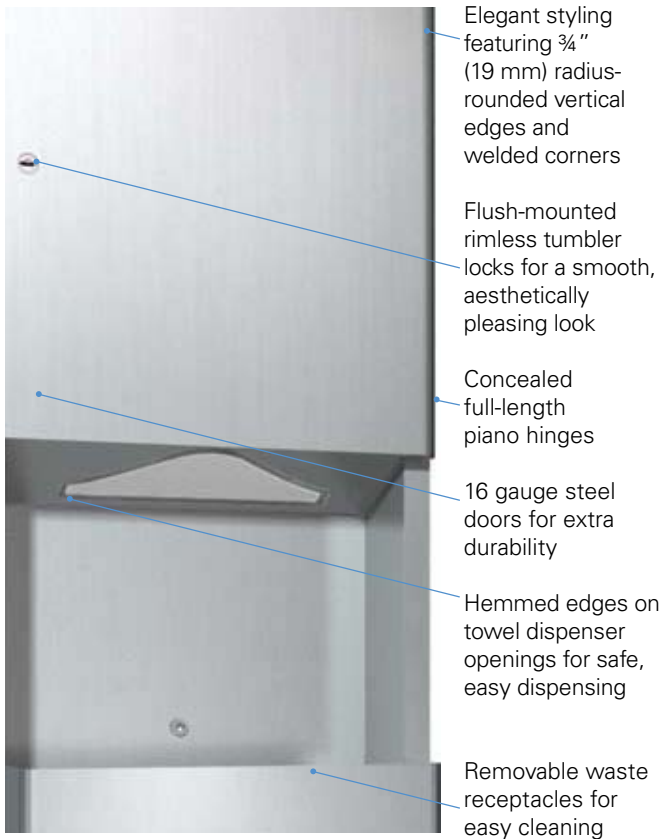


The Traditional Collection

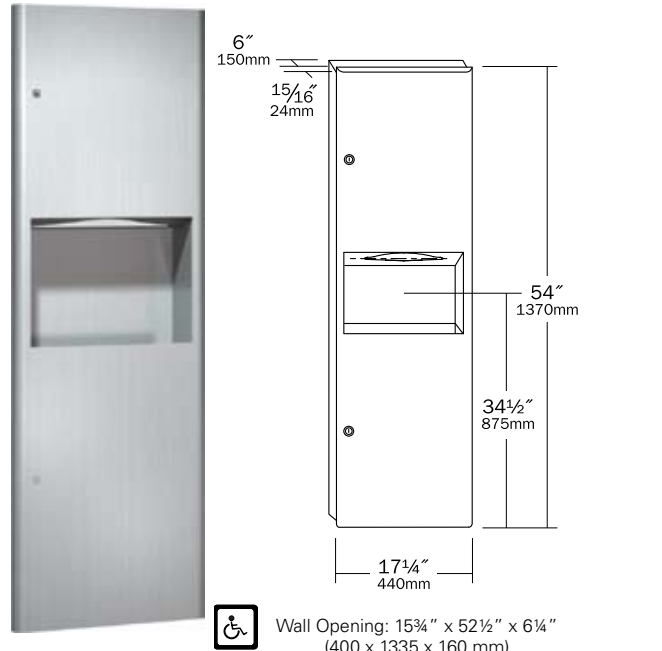
TRADITIONAL COLLECTION

The Traditional Collection has easily passed the test of time. These high value products feature 22 gauge double-pan doors incorporating a "no-flex" structural fiberboard core. 22 gauge cabinets, heavy-duty 3/16" (5 mm) diameter piano hinge and keyed-alike tumbler locks, complete this broad product line.

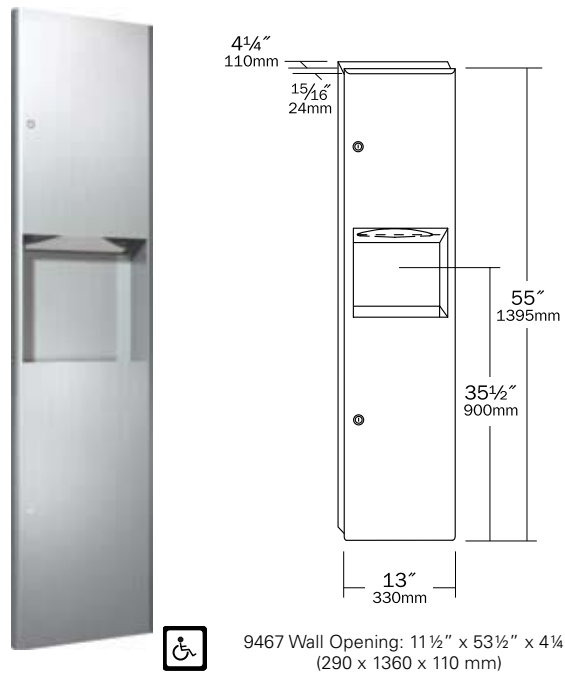
PROFILE COLLECTION



9469 PAPER TOWEL DISPENSER AND WASTE RECEPTACLE
 Dispenses 600 C-fold or 800 multi-fold paper towels. 15.6 gal. (59 L) waste receptacle.



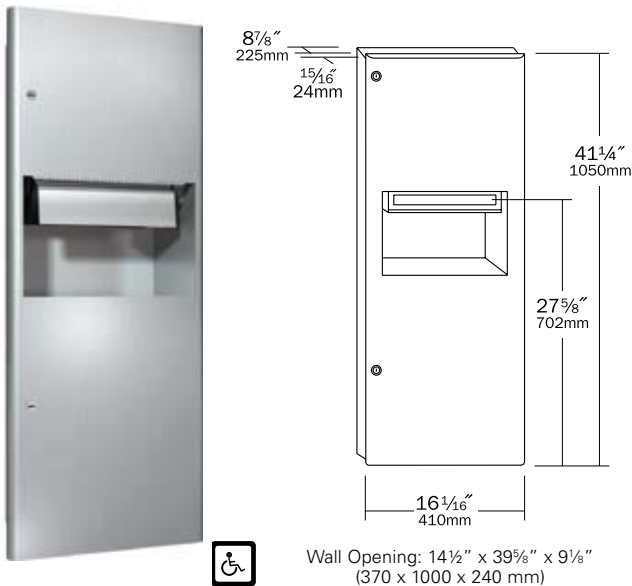
9462 PAPER TOWEL DISPENSER AND WASTE RECEPTACLE
 Dispenses 600 C-fold, 800 multi-fold, or 1100 single-fold paper towels. 9 gal. (34 L) stainless steel waste receptacle.



9467 PAPER TOWEL DISPENSER AND WASTE RECEPTACLE
 Dispenses 600 C-fold or 900 multi-fold paper towels. 5 gal. (18.9 L) stainless steel waste receptacle.

94676 (Not Shown) Same as 9467, but 6" (150 mm) deep to also dispense 1100 single-fold towels and has push door and 7 gal. (26.5 L) capacity.

PROFILE COLLECTION

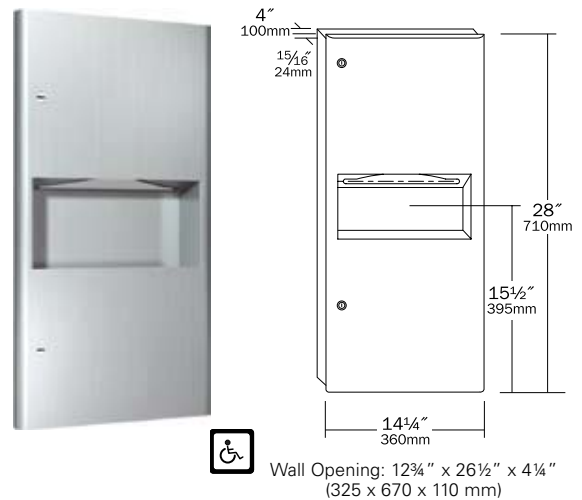


Wall Opening: $14\frac{1}{2}'' \times 39\frac{5}{8}'' \times 9\frac{1}{8}''$
(370 x 1000 x 240 mm)

94696A AUTOMATIC ROLL PAPER TOWEL DISPENSER AND WASTE RECEPTACLE

Proximity sensing no-touch unit dispenses a pre-set length per cycle from 8" or 9" (205 or 230 mm) wide, 800 ft. (244 m) long rolls. 10 gal. (37.8 L) stainless steel waste receptacle. Battery operated (4) D-size.

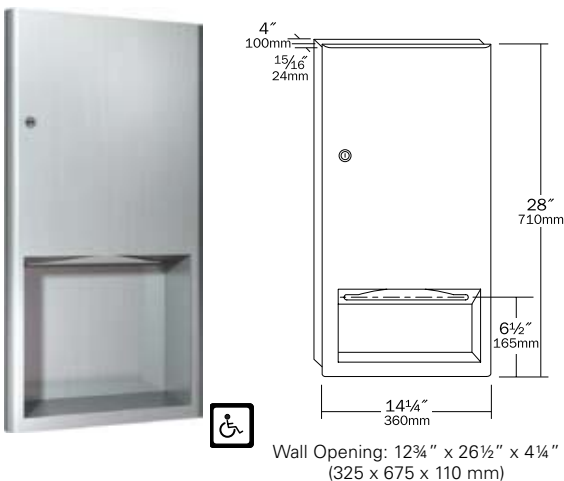
94696 (Not Shown) Same as 94696A but with mechanical lever paper towel dispenser.



Wall Opening: $12\frac{3}{4}'' \times 26\frac{1}{2}'' \times 4\frac{1}{4}''$
(325 x 670 x 110 mm)

94623 PAPER TOWEL DISPENSER AND WASTE RECEPTACLE

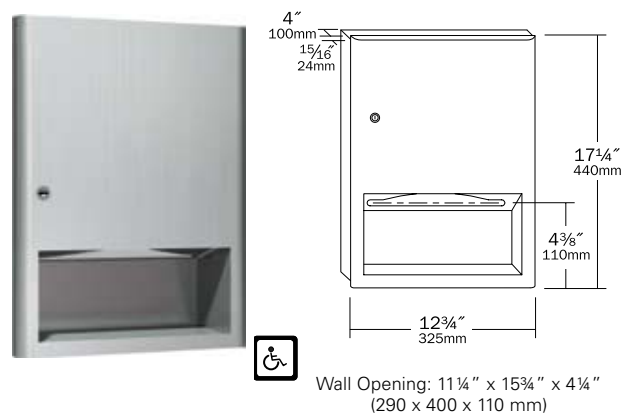
Dispenses 350 C-fold, 475 multi-fold paper towels. 2 gal. (7.6 L) stainless steel waste receptacle.



Wall Opening: $12\frac{3}{4}'' \times 26\frac{1}{2}'' \times 4\frac{1}{4}''$
(325 x 675 x 110 mm)

9452 PAPER TOWEL DISPENSER

Dispenses 600 C-fold or 800 multi-fold paper towels.

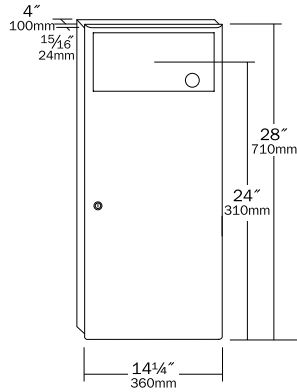


Wall Opening: $11\frac{1}{4}'' \times 15\frac{3}{4}'' \times 4\frac{1}{4}''$
(290 x 400 x 110 mm)

9457 PAPER TOWEL DISPENSER

Dispenses 350 C-fold or 475 multi-fold paper towels.

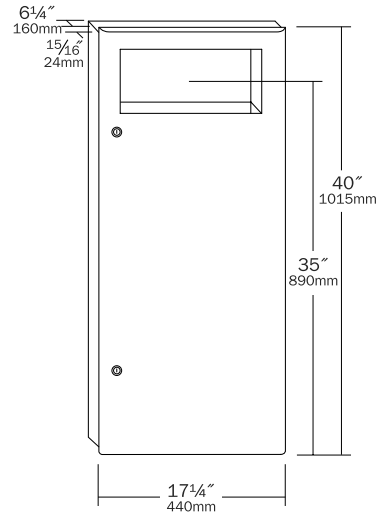
PROFILE COLLECTION



Wall Opening: 12 3/4" x 26 1/2" x 4 1/4"
(325 x 675 x 110 mm)

9459 WASTE RECEPTACLE

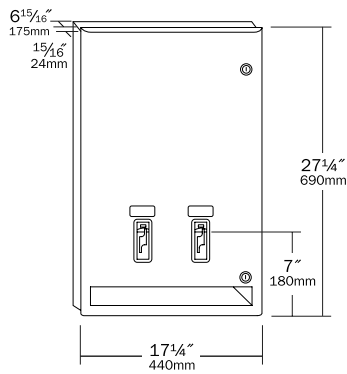
Self-closing panel covers receptacle opening. 4 gal. (15 L) stainless steel waste receptacle.



Wall Opening: 15 3/4" x 38 1/2" x 6 1/4"
(400 x 980 x 160 mm)

9474 WASTE RECEPTACLE

Waste receptacle is 12 gal. (45.4 L) stainless steel.

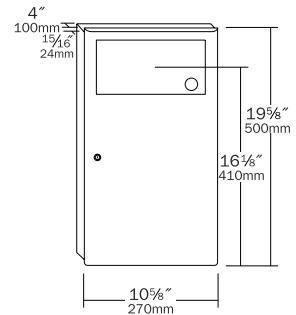


9468 Wall Opening: 16" x 26" x 6 1/4"
(406 x 660 x 165 mm)
94684 Wall Opening: 16" x 26" x 4 1/4"
(406 x 660 x 110 mm)

9468 DUAL NAPKIN/TAMPON VENDER

Dispenses 30 feminine napkins and 27 tampons. Available for 25¢, 50¢ or free operation. Door locked by two tumbler locks. Inside coin box has separately keyed lock.

94684 (Not Shown) Similar to 9468 but designed for 4" (102 mm) wall. Dispenses 15 napkins, 23 tampons.

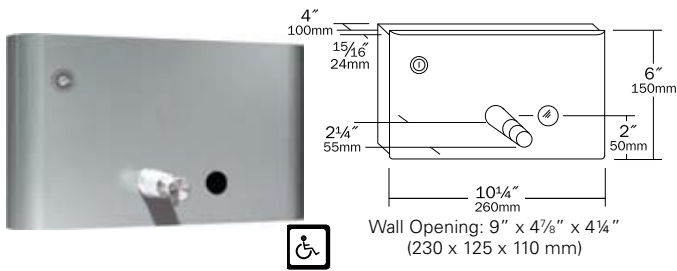


Wall Opening: 9 1/8" x 18 1/8" x 4 15/16"
(230 x 460 x 125 mm)

9471 SANITARY NAPKIN DISPOSAL

Self-closing stainless steel push-door covers disposal opening. Removable 1.9 gal. (7.2 L) stainless steel waste receptacle.

PROFILE COLLECTION



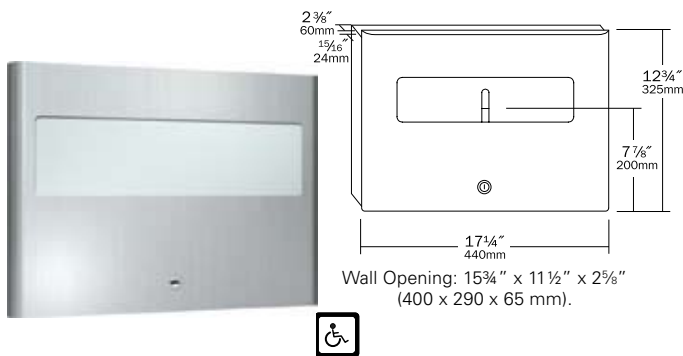
9326 LIQUID SOAP DISPENSER

Provided with covered stainless steel soap tank attached to door which hinges out for easy filling and cleaning. All purpose valve dispenses liquid, lotion, and detergent-type soaps. Capacity: 52 fluid ounces (1.5 L).



9343 SURFACE MOUNTED SOAP DISPENSER

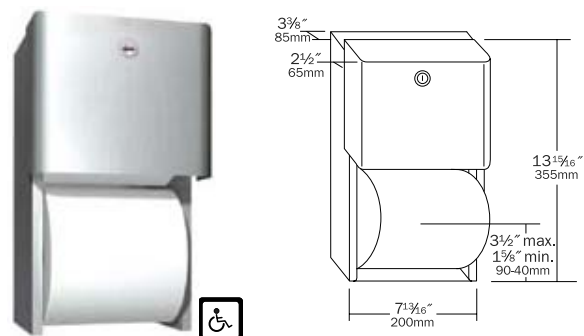
All-purpose soap valve dispenses liquid, lotion and detergent-type soap. Unbreakable refill window, concealed fastening and hinged filler-top for vandal resistance. Capacity: 48 fluid ounces (1.4 L). Overall size: 7 1/4" x 6 1/2" x 5 1/4" (185 x 163 x 135 mm) projection.



9477 TOILET SEAT COVER DISPENSER

Dispenses 500 seat covers.

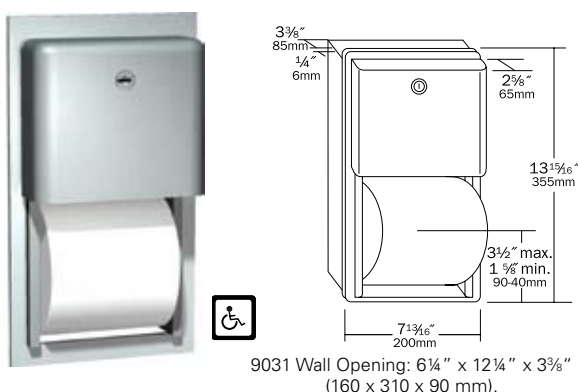
9477-SM (Not Shown) Same as 9477, except surface mounted.



9030 SURFACE MOUNTED DUAL ROLL TOILET TISSUE DISPENSER

Holds two rolls up to 5 1/4" (135 mm) diameter (1800 sheets). Top roll automatically drops in place when bottom roll is used up. Type 304 stainless steel cabinet and mechanism. Theft resistant spindles.

Overall size: 6" x 12" x 6 1/2" (150 x 300 x 165 mm).



9031 RECESSED DUAL ROLL TOILET TISSUE DISPENSER
Holds two rolls up to 5 1/4" (135 mm) diameter (1800 sheets). Top roll automatically drops in place when bottom roll is used up. Type 304 stainless steel cabinet and mechanism. Theft resistant spindles. Overall size: 6" x 12" x 6 1/2" (150 x 300 x 165 mm) with flange for recessing.

GENERAL SPECIFICATIONS:

PROFILE COLLECTION

Doors shall be fabricated of 16 gauge type 304 stainless steel with #4 satin finish. Full face of door to project 15/16" (24 mm) from wall and shall be hinged with a concealed heavy duty 3/16" (5 mm) diameter stainless steel piano hinge. Cabinet shall be fabricated of 20 gauge type 304 stainless steel. All doors shall have both vertical edges rounded to a 3/4" (19 mm) radius and have flat rimless tumbler locks keyed alike. Removable internal waste receptacles shall be stainless steel. All corners shall be welded. Towel dispensers shall have hemmed opening for safe, easy dispensing. Automatic dispensers shall feature proximity sensor activated dispensing mechanism.