



WASHROOM ACCESSORIES



THE ASI COLLECTIONS



The Profile Collection

While ASI offers hundreds of individual bathroom accessories, the specifying process has been greatly facilitated by the establishment of three distinct collections to serve your different needs.

PROFILE COLLECTION

This visually appealing collection with rounded edges is manufactured with highly durable 16 gauge stainless steel doors and 20 gauge cabinets. Concealed heavy-duty 3/16" (5 mm) diameter piano hinges ensure smooth and long-lived operation, and rimless keyed-alike flush tumbler locks offer strong security with an elegant look.



The Simplicity Collection

SIMPLICITY COLLECTION

This elegant collection combines seamless construction and crisp design lines to provide strength and comfort, beauty and durability, form and function. 18 gauge doors and 20 gauge cabinets conceal heavy-duty 3/16" (5 mm) diameter piano hinges. All units are keyed alike.

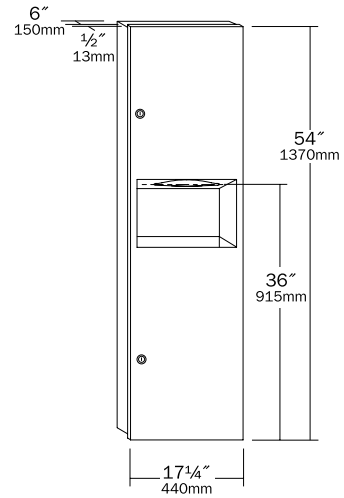
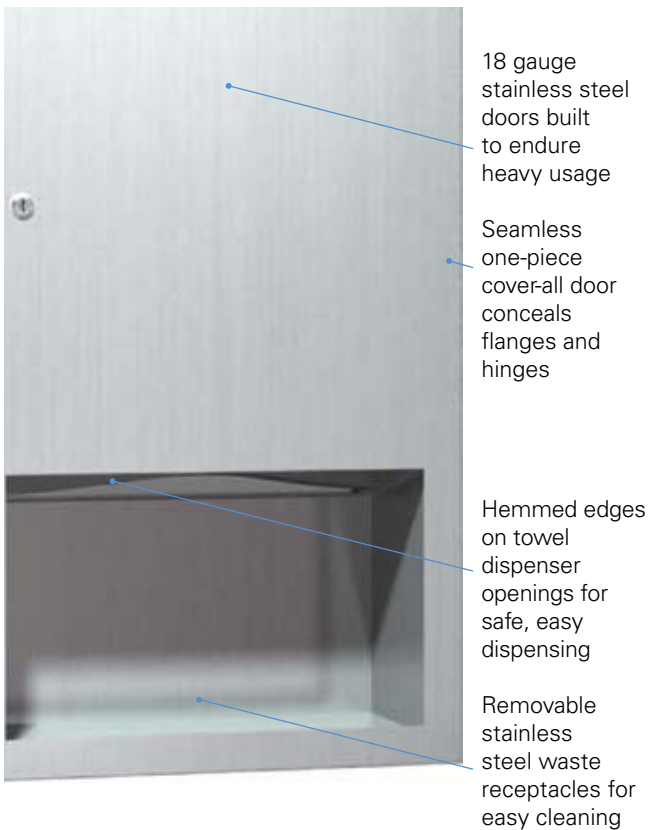


The Traditional Collection

TRADITIONAL COLLECTION

The Traditional Collection has easily passed the test of time. These high value products feature 22 gauge double-pan doors incorporating a "no-flex" structural fiberboard core. 22 gauge cabinets, heavy-duty 3/16" (5 mm) diameter piano hinge and keyed-alike tumbler locks, complete this broad product line.

SIMPLICITY COLLECTION

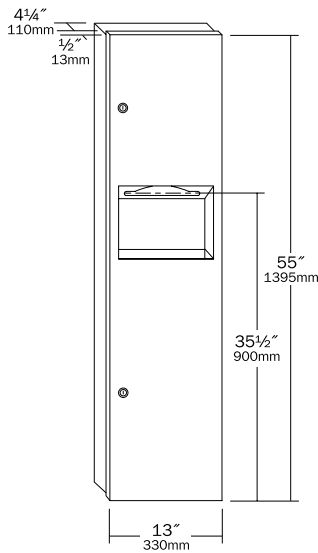


Wall Opening: 15 3/4" x 52 1/2" x 6"
(400 x 1335 x 150 mm)

6462 PAPER TOWEL DISPENSER AND WASTE RECEPTACLE
Provided adapter allows changing from up to 1,000 single-fold towels to 600 C-fold or 800 multi-fold towels. 9 gal. (34 L) waste receptacle.

6462-2 (Not Shown) Similar to 6462, but with stainless steel collar for semi-recessing in 4" (102 mm) walls.

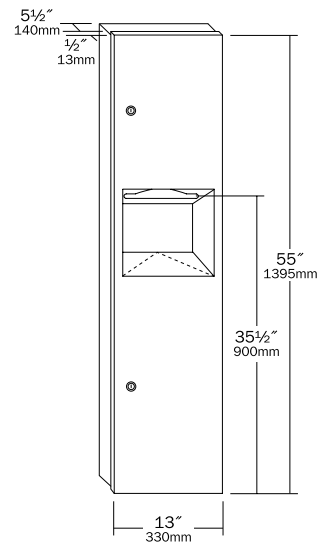
6462-9 (Not Shown) Similar to 6462, but with stainless steel collar for surface mounting.



Wall Opening: 11 1/2" x 53 1/2" x 4 1/4"
(290 x 1360 x 110 mm)

6467 PAPER TOWEL DISPENSER AND WASTE RECEPTACLE
Dispenses 600 C-fold or 800 multi-fold paper towels. 5 gal. (18.9 L) stainless steel waste receptacle.

6467-9 (Not Shown) Similar to 6467, but with stainless steel collar for surface mounting.



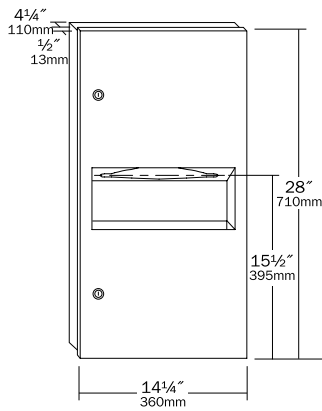
Wall Opening: 11 1/2" x 53 1/2" x 6 1/4"
(290 x 1360 x 160 mm)

64676 PAPER TOWEL DISPENSER AND WASTE RECEPTACLE
600 C-Fold, 800 multi-fold or 1100 single-fold towels. 7 gal. (26.5 L) stainless steel waste receptacle.

64676-2 (Not Shown) Similar to 64676, but with stainless steel collar for semi-recessing in 4" (102 mm) walls.

64676-9 (Not Shown) Similar to 64676, but with a stainless steel collar for surface mounting.

SIMPLICITY COLLECTION

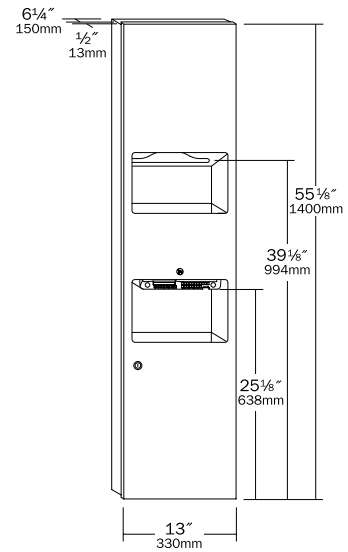


Wall Opening: 12 $\frac{3}{4}$ " x 7 $\frac{1}{2}$ " x 6 $\frac{1}{4}$ "
(325 x 1840 x 160 mm)

64623 RECESSED PAPER TOWEL DISPENSER AND WASTE RECEPTACLE

Dispenses 350 C-fold or 475 multi-fold paper towels. 10.5 gal. (39.7 L) stainless steel waste receptacle.

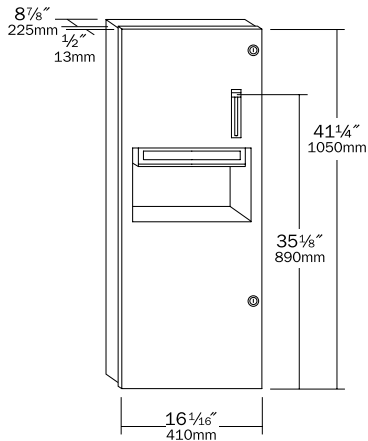
64623-9 (Not Shown) Similar to 64623, but with a stainless steel collar for surface mounting.



Wall Opening: 11 $\frac{1}{2}$ " x 54 $\frac{1}{8}$ " x 6 $\frac{1}{2}$ " minimum
(292 x 1375 x 165 mm)

64673 THREE-IN-ONE UNIT RECESSED COMBINATION PAPER TOWEL DISPENSER, AUTOMATIC HAND DRYER AND WASTE RECEPTACLE

Three-in-one unit combines towel dispenser, automatic hand dryer and a four (4) gallon (15 L) stainless steel waste receptacle in one unit.



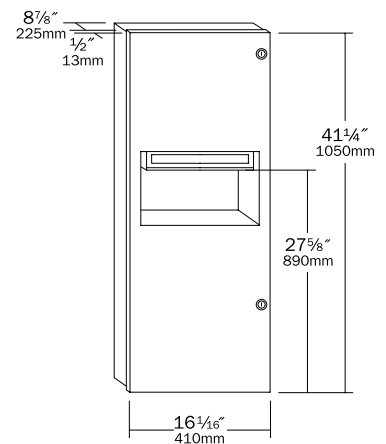
Wall Opening: 14 $\frac{5}{8}$ " x 39 $\frac{5}{8}$ " x 9 $\frac{1}{8}$ "
(370 x 1010 x 230 mm)

64696 ROLL PAPER TOWEL DISPENSER AND WASTE RECEPTACLE

Mechanically dispenses 8" or 9" (205 or 230 mm) wide, 800 ft. (244 m) long rolls in pre-set lengths of 2 $\frac{1}{2}$ ", 4", or 5" (65, 100, or 125 mm) per stroke. 8.6 gal. (32.6 L) stainless steel waste receptacle.

64696-6 (Not Shown) Similar to 64696, but with stainless steel collar for semi-recessing in 4" (102 mm) walls.

64696-9 (Not Shown) Similar to 64696, but with a stainless steel collar for surface mounting.



Wall Opening: 14 $\frac{5}{8}$ " x 39 $\frac{5}{8}$ " x 9 $\frac{1}{8}$ "
(370 x 1010 x 230 mm)

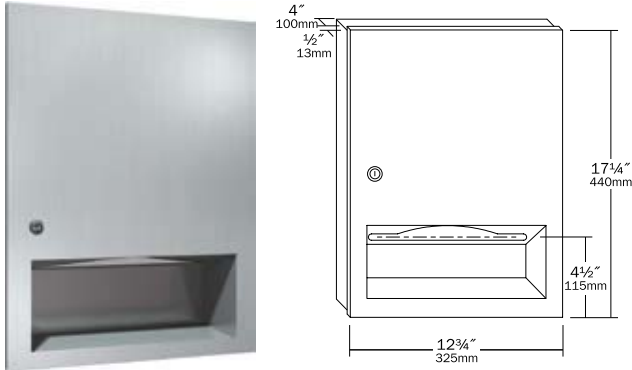
64696A AUTOMATIC ROLL PAPER TOWEL DISPENSER AND WASTE RECEPTACLE

Proximity sensing no-touch unit dispenses a pre-set length per cycle from 8" or 9" (205 or 230 mm) wide, 800 ft. (244 m) long rolls. 8.6 gal. (32.6 L) stainless steel waste receptacle. Battery operated (4) D-size.

64696A-6 (Not Shown) Similar to 64696A, but with stainless steel collar for semi-recessing in 4" (102 mm) walls.

64696A-9 (Not Shown) Similar to 64696A, but with a stainless steel collar for surface mounting.

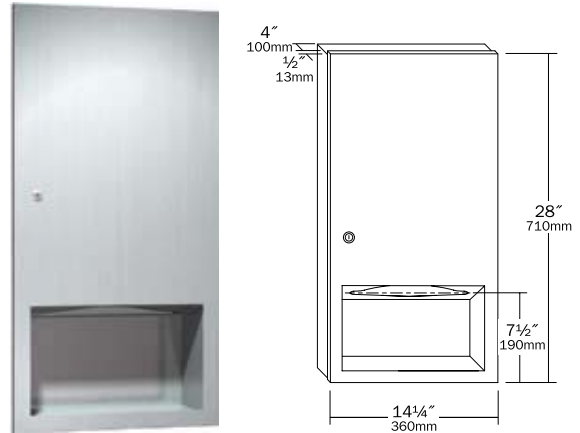
SIMPLICITY COLLECTION



Wall Opening: 11 1/4" x 15 3/4" x 4 1/4"
(290 x 400 x 110 mm)

6457 PAPER TOWEL DISPENSER

For the smaller washroom with less space and traffic. Dispenses 350 C-fold or 475 multi-fold paper towels.

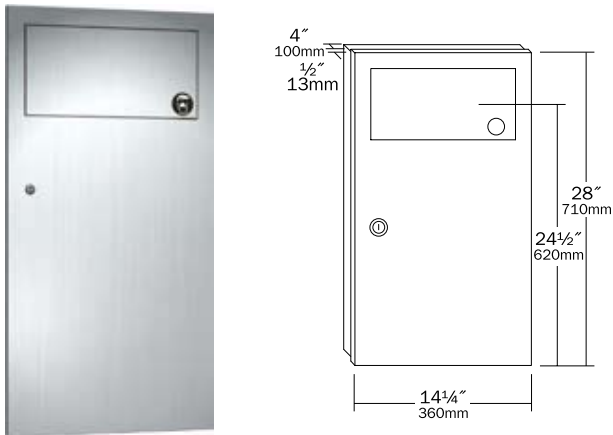


Wall Opening: 12 3/4" x 26 1/2" x 4 1/4"
(325 x 670 x 110 mm)

6452 PAPER TOWEL DISPENSER

Dispenses 600 C-fold or 800 multi-fold paper towels.

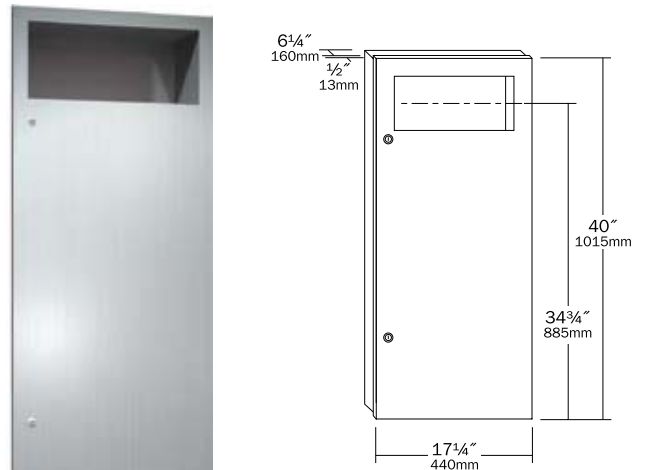
6452-9 (Not Shown) Similar to 6452, but with stainless steel collar for surface mounting.



Wall Opening: 12 3/4" x 26 1/2" x 4 1/4"
(325 x 670 x 110)

6459 WASTE RECEPTACLE

Self-closing panel covers receptacle opening. 4 gal. (15 L) stainless steel waste receptacle.



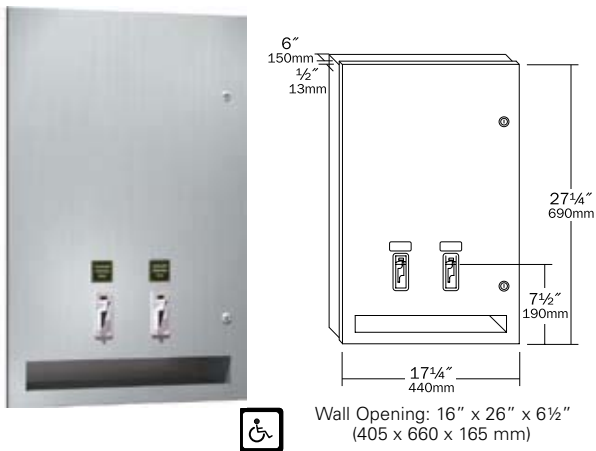
Wall Opening: 15 3/4" x 38 1/2" x 6 1/4"
(400 x 980 x 160 mm)

6474 WASTE RECEPTACLE

Waste receptacle is 12 gal. (45.4 L) stainless steel.

6474-2 (Not Shown) Similar to 6474, but with stainless steel collar for semi-recessing in 4" (102 mm) walls.

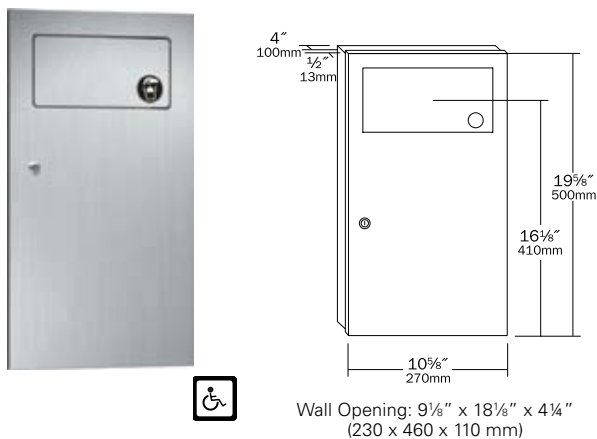
SIMPLICITY COLLECTION



6468 DUAL NAPKIN/TAMPON VENDOR

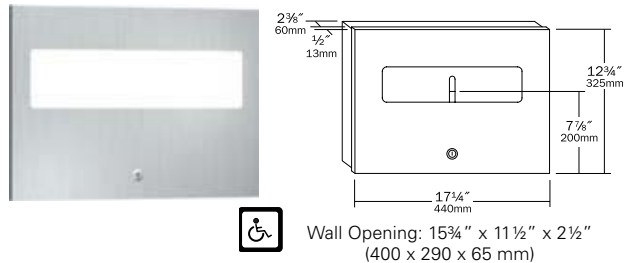
Dispenses 30 feminine napkins and 27 tampons. Available for 25¢, 50¢ or free operation. Door locked by two tumbler locks. Inside coin box has separately keyed lock.

64684 (*Not Shown*) Similar to 6468, but dispenses 15 feminine napkins and 23 tampons and recesses into 4" (102 mm) wall.



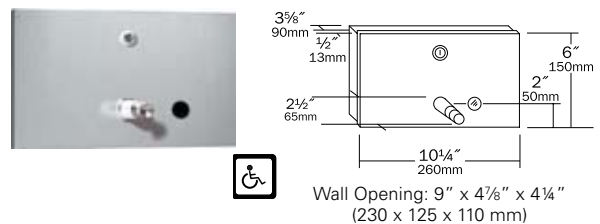
6471 SANITARY NAPKIN DISPOSAL

Self-closing stainless steel push door covers disposal opening. 1.9 gal. (7.2 L) stainless steel waste receptacle.



6477 TOILET SEAT COVER DISPENSER

Installs in the back wall of toilet compartment. Capacity: 500 seat covers.



6326 LIQUID SOAP DISPENSER

Stainless steel with #4 satin finish, all purpose soap valve, 52 fluid ounce (1.5 L) capacity, unbreakable refill window.

GENERAL SPECIFICATIONS:

SIMPLICITY COLLECTION

Doors shall be fabricated of 18 gauge type 304 stainless steel with a #4 satin finish. Full face of door to project 1/2" (13 mm) from wall and hinged at sides by a concealed heavy duty 3/16" (5 mm) diameter stainless steel piano hinge. Recessed cabinet shall be fabricated of 20 gauge type 304 stainless steel. All doors shall be provided with keyed-alike tumbler locks. Towel dispensers shall have hemmed opening for safe, easy dispensing. Automatic dispensers shall feature proximity sensor activated dispensing mechanism.