



WASHROOM ACCESSORIES



THE ASI COLLECTIONS



The Profile Collection

While ASI offers hundreds of individual bathroom accessories, the specifying process has been greatly facilitated by the establishment of three distinct collections to serve your different needs.

PROFILE COLLECTION

This visually appealing collection with rounded edges is manufactured with highly durable 16 gauge stainless steel doors and 20 gauge cabinets. Concealed heavy-duty 3/16" (5 mm) diameter piano hinges ensure smooth and long-lived operation, and rimless keyed-alike flush tumbler locks offer strong security with an elegant look.



The Simplicity Collection

SIMPLICITY COLLECTION

This elegant collection combines seamless construction and crisp design lines to provide strength and comfort, beauty and durability, form and function. 18 gauge doors and 20 gauge cabinets conceal heavy-duty 3/16" (5 mm) diameter piano hinges. All units are keyed alike.

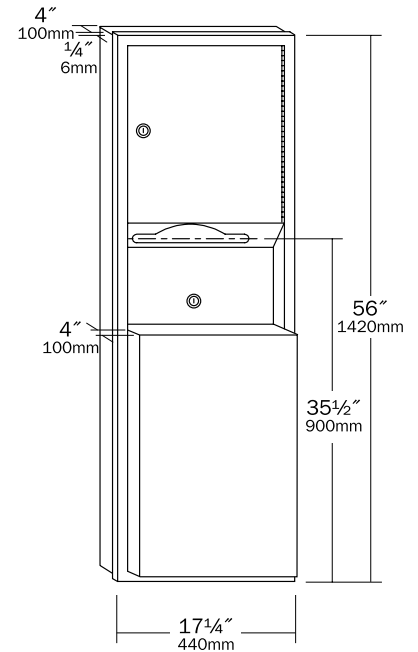


The Traditional Collection

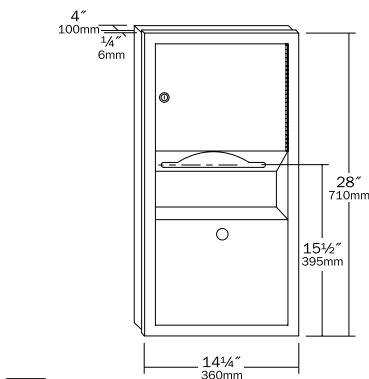
TRADITIONAL COLLECTION

The Traditional Collection has easily passed the test of time. These high value products feature 22 gauge double-pan doors incorporating a "no-flex" structural fiberboard core. 22 gauge cabinets, heavy-duty 3/16" (5 mm) diameter piano hinge and keyed-alike tumbler locks, complete this broad product line.

TRADITIONAL COLLECTION



Wall Opening: 15 3/4" x 54 1/2" x 4 1/4"
(400 x 1390 x 110 mm)



Wall Opening: 12 3/4" x 26 1/2" x 4 1/4"
(325 x 670 x 110 mm)



0462-AD PAPER TOWEL DISPENSER AND WASTE RECEPTACLE

Dispenses 350 C-fold or 475 multi-fold paper towels. 2 gal. (7.6 L) waste receptacle.

0462-AD-9 (Not Shown) Same as 0462-AD, except with stainless steel collar for surface mounting.

0469 PAPER TOWEL DISPENSER AND WASTE RECEPTACLE
Dispenses 600 C-fold or 800 multi-fold paper towels. 12 gal. (46 L) stainless steel waste receptacle.

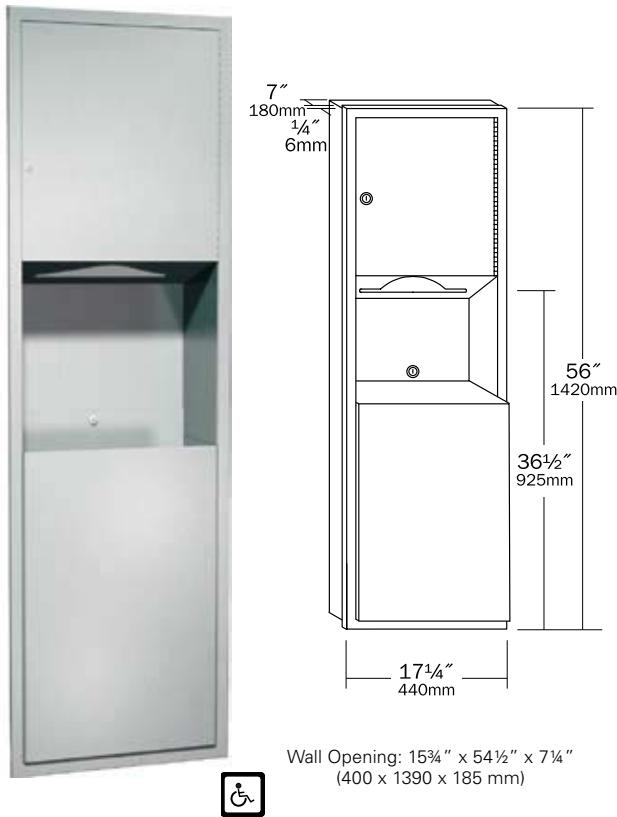
0469-2 (Not Shown) Same as 0469, except with recessing steel collar for semi-recessing in 2" (50 mm) walls.

0469-9 (Not Shown) Same as 0469, except with stainless steel collar for surface mounting.

0469-BL (Not Shown) Same as 0469, except has 18 gal. (68 L) waste receptacle. Projects 8" (205 mm) from wall.



TRADITIONAL COLLECTION



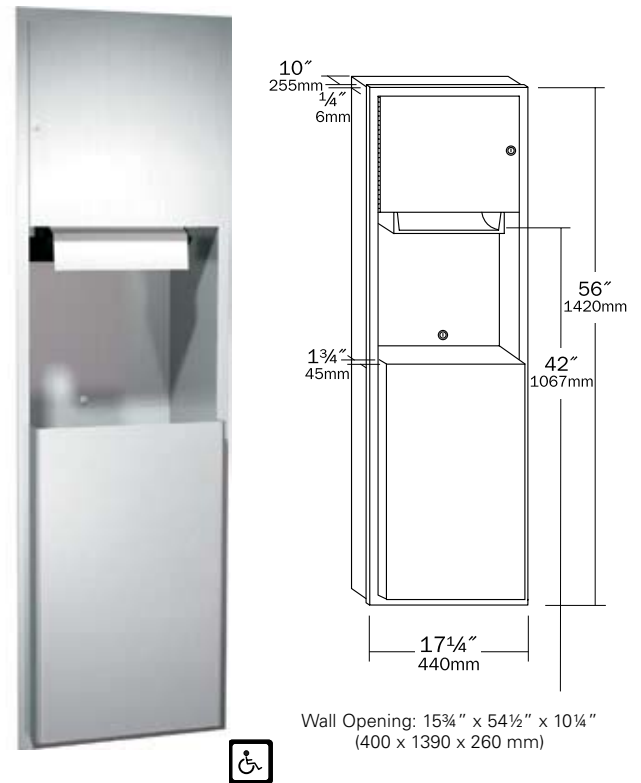
04697 RECESSED PAPER TOWEL DISPENSER AND WASTE RECEPTACLE

Dispenses 600 C-fold, 800 multi-fold or 1,100 single-fold paper towels. 12 gal. (46 L) stainless steel waste receptacle.

04697-4 (Not Shown) Same as 04697, except with stainless steel collar for semi-recessing in 4" (102 mm) walls.

04697-9 (Not Shown) Same as 04697, except with stainless steel collar for surface mounting.

04697-BL (Not Shown) Same as 04697, except has 18 gal. (68 L) waste receptacle, projects 4" (102 mm) from wall.



04692A AUTOMATIC ROLL PAPER TOWEL DISPENSER AND WASTE RECEPTACLE

Proximity sensing no-touch unit dispenses a pre-set length per cycle from 8" or 9" (205 or 230 mm) wide, 800 ft. (244 m) long rolls. Battery operated (4) D-size.

04692A-6 (Not Shown) Similar to 04692A, except with stainless steel collar for semi-recessing in 4" (102 mm) walls.

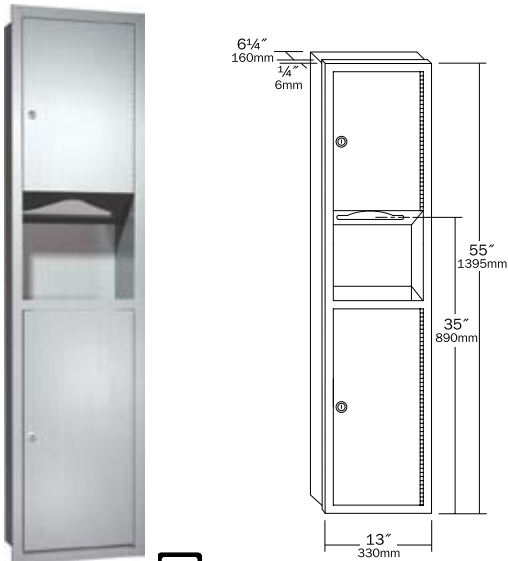
04692A-9 (Not Shown) Similar to 04692A, except with stainless steel collar for surface mounting.

04692 (Not Shown) Similar to 04692A, but with mechanical lever dispenser. Three pre-set dispensing lengths.

04692-6 (Not Shown) Same as 04692, except with stainless steel collar for semi-recessing in 4" (102 mm) walls.

04692-9 (Not Shown) Same as 04692, except with stainless steel collar for surface mounting.

TRADITIONAL COLLECTION

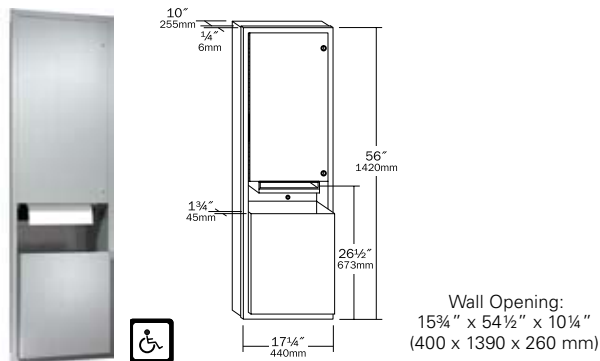


Wall Opening: 11 1/2" x 53 1/2" x 6 1/4"
(290 x 1360 x 160 mm)

0467 PAPER TOWEL DISPENSER AND WASTE RECEPTACLE
Dispenses 600 C-fold, 800 multi-fold or 1100 single-fold paper towels. 6 gal. (22.7 L) stainless steel waste receptacle.

0467-2 (Not Shown) Same as 0467, except with stainless steel collar for semi-recessing in 4" (102 mm) walls.

0467-9 (Not Shown) Same as 0467, except with stainless steel collar for surface mounting.



Wall Opening:
15 3/4" x 54 1/2" x 10 1/4"
(400 x 1390 x 260 mm)

046921A AUTOMATIC RECESSED ROLL TOWEL DISPENSER AND WASTE RECEPTACLE
Proximity sensing no-touch unit dispenses a pre-set length per cycle from 8" or 9" (205 or 230 mm) wide, 800 ft. (244 m) long rolls. 14 gal. (53 L) waste receptacle. Battery operated (4) D-size.

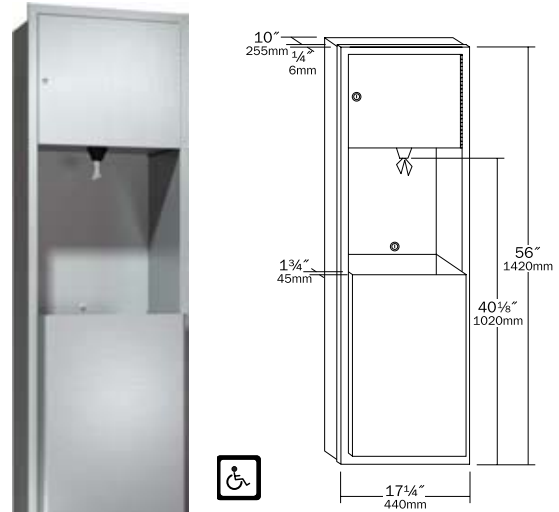
046921A-6 (Not Shown) Same as 046921A, except with stainless steel collar for semi-recessing in 4" (102 mm) walls.

046921A-9 (Not Shown) Same as 046921A, except with stainless steel collar for surface mounting.

046921 (Not Shown) Same as 046921A, except with mechanical lever dispenser. Three pre-set dispensing lengths.

046921-6 (Not Shown) Same as 046921A-6 except with stainless steel collar for surface mounting.

046921-9 (Not Shown) Same as 046921A-9 except with stainless steel collar for surface mounting.



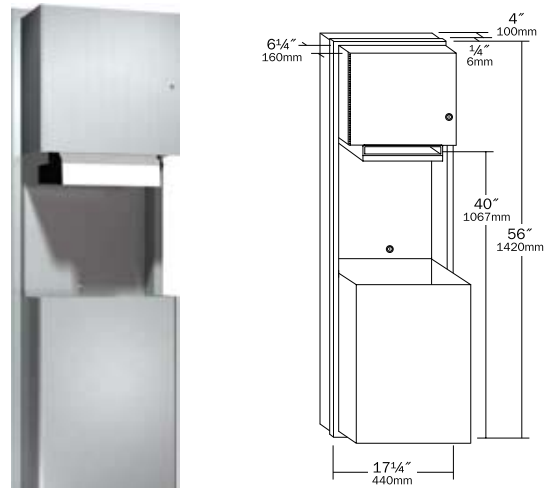
Wall Opening: 15 3/4" x 54 1/2" x 10 1/4"
(400 x 1385 x 260 mm)

04693 RECESSED PULL CORE TOWEL DISPENSER AND WASTE RECEPTACLE

Dispenses one pull core paper towel roll. 16 gal (60.6 L) stainless steel waste receptacle.

04693-6 (Not Shown) Same as 04693, except with stainless steel collar for semi-recessing in 4" (102 mm) walls.

04693-9 (Not Shown) Same as 04693, except with stainless steel collar for surface mounting.



Wall Opening: 15 3/4" x 54 1/2" x 4 1/4"
(400 x 1390 x 110 mm)

046924A AUTOMATIC RECESSED ROLL TOWEL DISPENSER AND WASTE RECEPTACLE

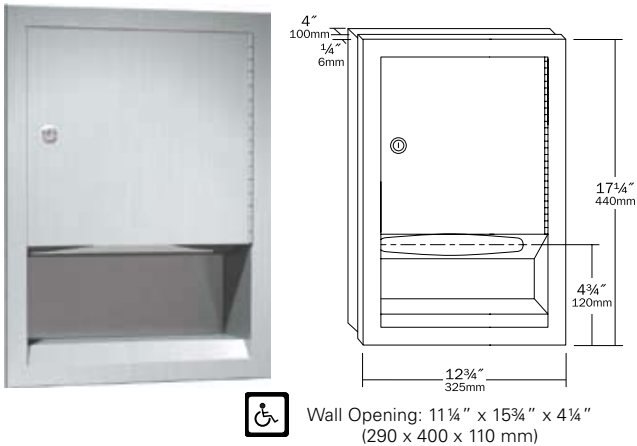
Proximity sensing no-touch unit dispenses a pre-set length per cycle from 8" or 9" (205 or 230 mm) wide, 800 ft. (244 m) long rolls. 14 gal. (53 L) waste receptacle. Battery operated (4) D-size.

046924A-9 (Not Shown) Same as 046924A, except with stainless steel collar for surface mounting.

046924 (Not Shown) Same as 046924A, except with mechanical lever dispenser. Three pre-set dispensing lengths.

046924-9 (Not Shown) Same as 046924A-9 except with mechanical lever dispenser.

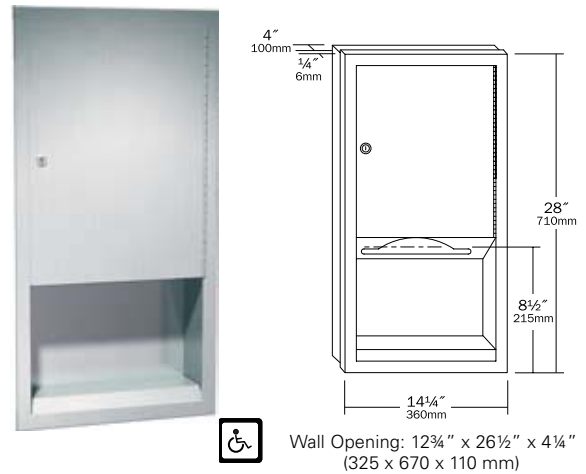
TRADITIONAL COLLECTION



0457 PAPER TOWEL DISPENSER

For the smaller washroom with less space and traffic. Dispenses 350 C-fold or 500 multi-fold paper towels.

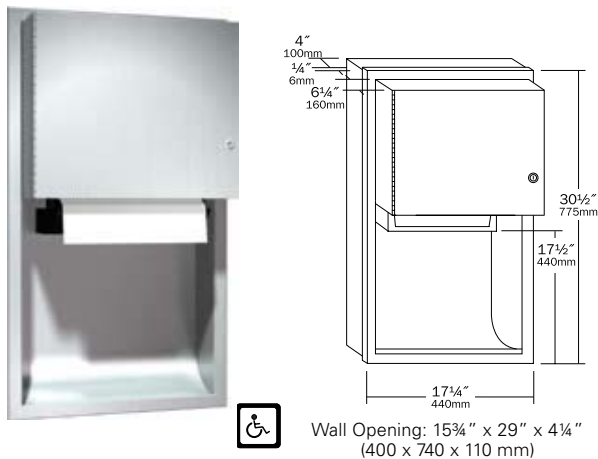
0457-9 (Not Shown) Same as 0457, except with stainless steel collar for surface mounting.



0452 PAPER TOWEL DISPENSER

Dispenses 600 C-fold or 800 multi-fold paper towels.

0452-9 (Not Shown) Same as 0452, except with stainless steel collar for surface mounting.



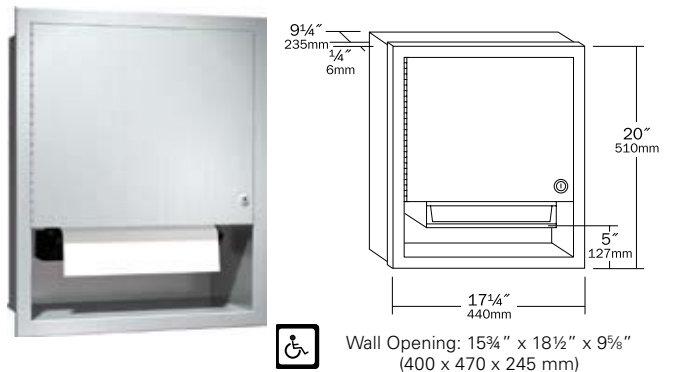
045224A AUTOMATIC ROLL PAPER TOWEL DISPENSER

Proximity sensing no-touch unit dispenses a pre-set length per cycle from 8" or 9" (205 or 230 mm) wide, 800 ft. (244 m) long rolls. Battery operated (4) D-size.

045224A-9 (Not Shown) Same as 045224A, except with stainless steel collar for surface mounting.

045224 (Not Shown) Same as 045224A except with mechanical lever dispenser. Three pre-set dispensing lengths.

045224-9 (Not Shown) Same as 045224A-9 except with stainless steel collar for surface mounting.



04523A AUTOMATIC ROLL PAPER TOWEL DISPENSER

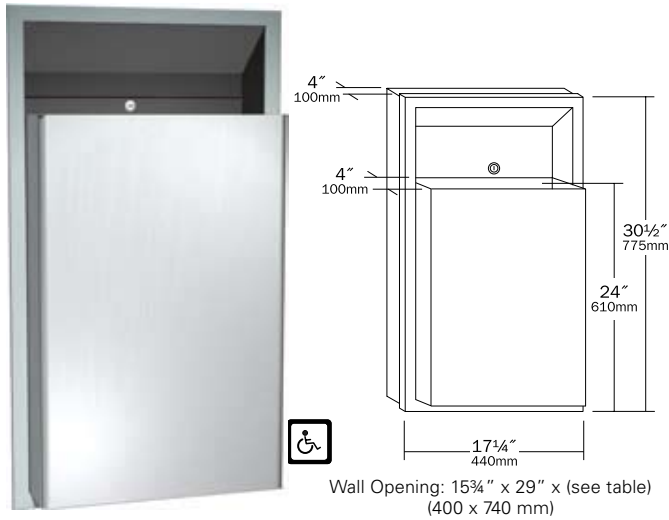
Proximity sensing no-touch unit dispenses a pre-set length per cycle from 8" or 9" (205 or 230 mm) wide, 800 ft. (244 m) long rolls. Battery operated (4) D-size.

04523A-9 (Not Shown) Same as 04523A, except with stainless steel collar for surface mounting.

04523 (Not Shown) Same as 04523A except with mechanical lever dispenser. Three pre-set dispensing lengths.

04523-9 (Not Shown) Same as 04523, except with stainless steel collar for surface mounting.

TRADITIONAL COLLECTION

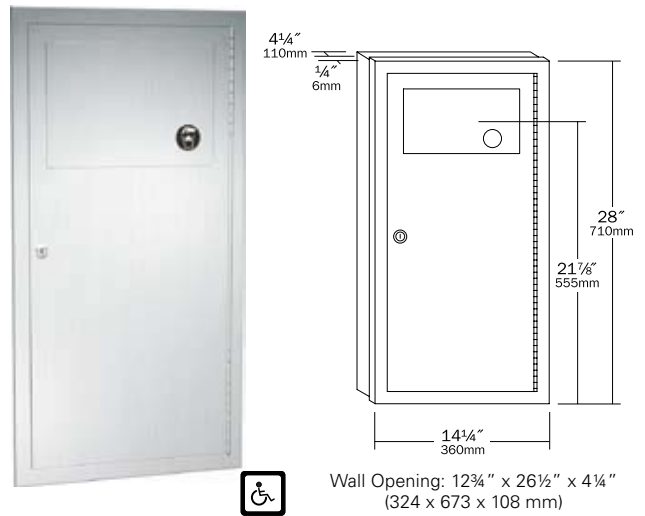


0458 WASTE RECEPTACLE

Stainless steel waste container locks into cabinet, removable for servicing.

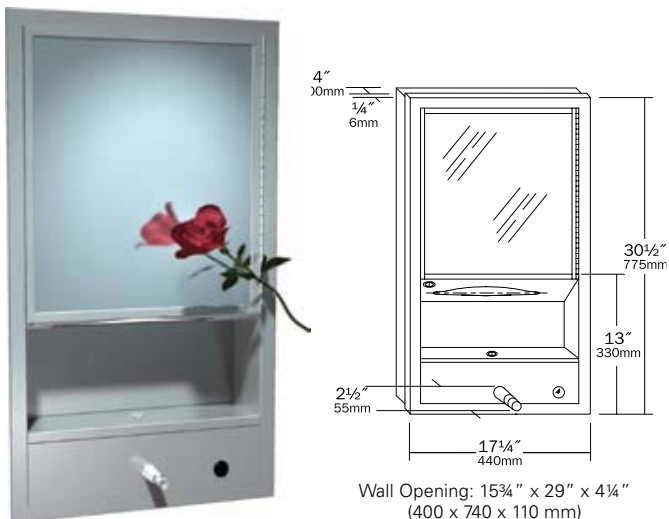
0458-9 (Not Shown) Same as 0458, except with stainless steel collar for surface mounting.

No.	Projection	Recess	Gals.
0458	4" (102 mm)	4" (102 mm)	12 (46 L)
0458-CX	1/2" (13 mm)	7 1/2" (190 mm)	12 (46 L)
0458-DX	8" (205 mm)	4" (102 mm)	18 (68 L)



04733 WASTE RECEPTACLE

Self-closing panel covers the receptacle opening, removable 3 gal. (11.4 L) stainless steel waste receptacle.



0430 MULTI-PURPOSE CABINET

Combines shelf, mirror, towel dispenser, and 101 fluid ounce (3 L) soap dispenser. Unit dispenses 600 C-fold or 800 multi-fold paper towels. 15-year mirror silver spoilage guaranty.

0430-9 (Not Shown) Same as 0430, except with stainless steel collar for surface mounting.



0431 MULTI-PURPOSE CABINET WITH CONCEALED BODY

For mounting behind continuous mirror. Shelf, towel dispenser and 101 fluid ounce (3 L) soap dispenser. Dispenses 600 C-fold or 800 multi-fold paper towels.

0436 (Not Shown) Same as 0431 except without soap dispenser.

TRADITIONAL COLLECTION



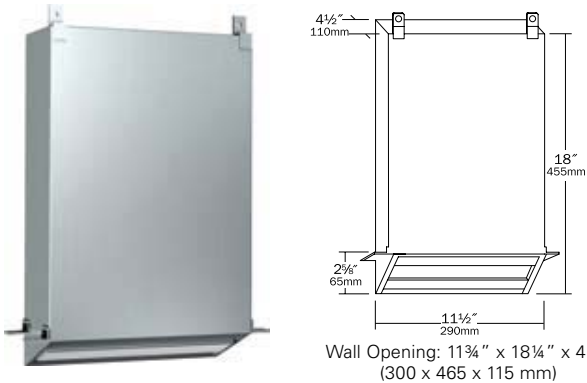
0210 PAPER TOWEL DISPENSER

Dispenses 400 C-fold or 525 multi-fold paper towels without adjustment or adapters. Fabricated of 22 gauge stainless steel with #4 satin finish. Fitted with tumbler lock and heavy duty stainless steel piano hinge. Overall size: 11" x 14⁵/₈" x 4¹/₁₆" (280 x 370 x 102 mm).



0215 PAPER TOWEL DISPENSER — PETITE

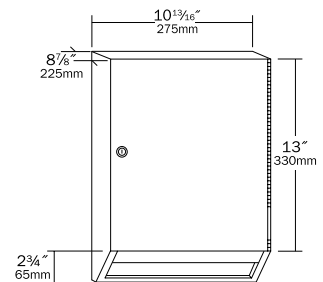
Same as 0210, but reduced capacity for low traffic areas. Dispenses 200 C-fold or 275 multi-fold paper towels. Overall size: 11" x 8" x 4" (280 x 205 x 102 mm).



0439 RECESSED TOWEL DISPENSER

Cabinet is provided with two push-up flaps for bottom-filling of paper towels. Towel dispenser is concealed behind mirror or wall. Dispenses 600 C-fold or 800 multi-fold paper towels. Only towel tray opening is visible.

Designers Note: Leave 6" min. (150 mm) clearance below towel tray opening for space to pull towels. Units are installed prior to mirror hanging or before finished wall is applied.



8522A AUTOMATIC ROLL PAPER TOWEL DISPENSER

Proximity sensing no-touch unit dispenses pre-set lengths per cycle from 8" or 9" (205 or 230 mm) wide, 800 ft. (244 m) long rolls. Battery operated (4) D-size. Overall size: 12¹/₄" x 15" x 9¹/₂" (310 x 380 x 240 mm).

8522 Similar to 8522, but with mechanical dispenser. Three pre-set dispensing lengths.



8165 ROLL PAPER TOWEL DISPENSER

Heavy-duty aluminum casting with satin finish. Molded plastic spindle has concealed locking device to prevent theft of paper towels and spindle. Controlled delivery, allowing perforated paper towels to be torn from roll. Holds standard roll paper towels up to 6" (150 mm) diameter. Unit measures 13" (330 mm) wide and projects 4⁷/₈" (125 mm) from wall.



0245-SS PAPER TOWEL DISPENSER

Dispenses 400 single-fold paper towel. Entire unit fabricated of 22 gauge stainless steel. Overall size: 11¹/₄" x 6¹/₄" x 5⁵/₈" (285 x 160 x 145 mm).

TRADITIONAL COLLECTION



0828 WASTE RECEPTACLE

Fabricated of 22 gauge type 304 stainless steel with satin finish. Top and bottom edges hemmed for safety.
Capacity: 6.7 gal. (25.4 L).
Overall size: 14" x 17" x 6½" (355 x 430 x 165 mm).



0825 WASTE RECEPTACLE

Fabricated of 22 gauge type 304 stainless steel with satin finish. Top and bottom edges hemmed for safety, interior hooks for liner. Capacity: 20 gal. (75.7 L).
Overall size: 15¾" x 21⅞" x 11¾" (400 x 555 x 300 mm).

0826 (Not Shown) Same as 0825, except with 12 gal. (45.4L). capacity. Overall Size: 15¼" x 23" x 8" (390 x 585 x 200 mm).



0810 FREE STANDING WASTE RECEPTACLE

Fabricated of 22 gauge type 304 stainless steel with satin finish. Top with self-closing doors. Vinyl wall bumpers – top and bottom, rubber feet. Hooks for liners. Capacity: 13 gal. (49 L). Overall size: 13" x 29" x 13" (330 x 735 x 330 mm).

0812 (Not Shown) Same as 0810, except 19 gal. (72 L). Overall size: 13" x 37" x 13" (330 x 940 x 330 mm).



0811 FREE STANDING OPEN WASTE RECEPTACLE

Same as 0810, except without top.
Overall size: 13" x 22" x 13" (330 x 560 x 330 mm).

0813 (Not Shown) Same as 0811, except 19 gal. (72 L). Overall size: 13" x 30" x 13" (330 x 760 x 330 mm).



0827 WASTE RECEPTACLE

Fabricated of 22 gauge type 304 stainless steel with satin finish. Top and bottom edges hemmed for safety.
Capacity: 2 gal. (7.6 L).
Overall size: 10¾" x 9" x 4¾" (275 x 230 x 110 mm).



0829 CORNER WASTE RECEPTACLE

Fabricated of 22 gauge type 304 stainless steel with satin finish. Top and bottom edges hemmed for safety.
Capacity: 15.5 gal. (59 L)
Overall size: 15" x 23" x 14½" (380 x 585 x 370 mm).

TRADITIONAL COLLECTION



Counter Opening: 6¹/₈" (156 mm) diameter

1000 CIRCULAR COUNTER TOP WASTE CHUTE

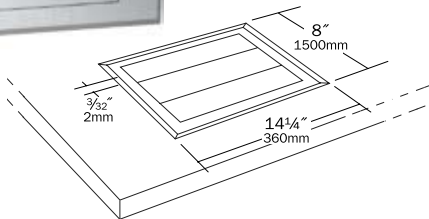
Provides waste deposit access to receptacle (not furnished) placed directly below chute. Made of 16 gauge stainless steel, rolled flange and exposed surfaces have #4 satin finish.



Counter Opening: 12¹/₂" x 13¹/₂"
(320 x 340 mm)

1001 COUNTER TOP MOUNTED PAPER TOWEL DISPENSER/WASTE RECEPTACLE

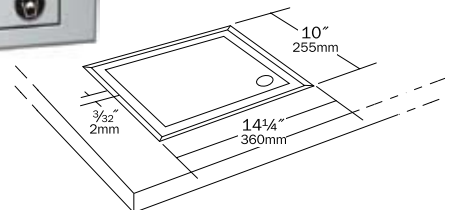
Towels loaded by pushing through hinged dispensing flaps. Capacity: 1 package C-fold paper towels. Unit provided with loose waste receptacle to be placed directly below waste door on the vanity floor.



Counter Opening: 12¹/₄" x 4¹/₄"
(310 x 110 mm)

1002 COUNTER TOP MOUNTED PAPER TOWEL DISPENSER

Towels loaded by pushing downward through hinged dispensing flaps. Capacity: 1 package C-Fold paper towels.



Counter Opening: 12¹/₂" x 8³/₄" (320 x 220 mm)

1003 COUNTER TOP MOUNTED WASTE RECEPTACLE

Push door is self closing. A 12" x 12" x 12" (305 x 305 x 365 mm) waste receptacle is furnished to be placed directly below waste door on the vanity floor.

GENERAL SPECIFICATIONS:

TRADITIONAL COLLECTION

Doors shall be double-pan construction fabricated of 22 gauge type 304 stainless steel with a 1/4" (6 mm) thick "No-Flex" structural fiberboard core, mounted to cabinet body by a heavy-duty 3/16" (5 mm) diameter stainless steel piano hinge. Recessed cabinet shall be fabricated of 22 gauge stainless steel with face trim of one-piece construction with no miters or welding and returning 1/4" (6 mm) to wall. All doors shall be provided with keyed-alike tumblers locks. Automatic dispensers shall feature proximity sensor activated dispensing mechanism.