

## SECURITRON TIMEMATE MODELS TM-9 INSTALLATION AND OPERATING INSTRUCTIONS

### 1. DESCRIPTION

The TimeMate is a miniature “**off delay**” timer which operates on **12 VDC, 24 VDC or 24 VAC** and provides a digitally set delay time of up to 35 seconds. The TimeMate has a **3 Amp SPDT** relay output. When the trigger wire (YELLOW) is closed to the +V input (RED), the relay energizes. As long as the trigger wire is receiving +V, the relay remains energized but timing does not begin. When +V power is removed from the trigger wire, the relay remains energized until the set time expires (off delay function). At that point, the relay deenergizes until the next trigger operation. Note that the TM-9 is **retriggerable**. This means that if the trigger wire receives power in the middle of a timing operation, the relay stays energized while the previous timing cycle halts. When power is removed from the trigger, a new timing cycle begins. As long as trigger events keep occurring prior to a cycle timing out, the relay stays energized.

The most common application for the TimeMate is as a “**pulse extender**”. There are many situations where a momentary manual switch closure is used to control a device and also where the operation must be extended for an amount of time. Operation of the switch activates the TimeMate, whose relay then engages or releases the device for up to 35 seconds. It is as if the switch was held for that amount of time.

A common application is to have a keyswitch or push button mounted in an outlet box whose function it is to **release an electric lock**. Without the TimeMate, use of the door is a 2 handed operation. The switch is operated with one hand and the door is pushed open with the other. When the TimeMate is added, momentarily operating the switch releases the lock for enough time for a person to conveniently move through the door.

Integration with an outlet box mounted switch is the reason for the TimeMate being packaged in a miniature plastic box. In most cases, the TimeMate can be installed in the outlet box with the switch. Alternately, the TimeMate may be mounted on the rear, top or side of the outlet box using the supplied double stick tape.

### 2. OPERATION AND WIRING

The TimeMate requires **12 VDC, 24 VDC or 24 VAC** for operation . **It will not operate on 12 VAC**. It draws no current when “at rest” and 27 mA @ 12v or 38 mA @ 24v when the unit is timing. It is most convenient to operate the TimeMate on the same power supply that operates the electric lock or other load. DC voltage need not be regulated (transformer + bridge rectifier is acceptable.)

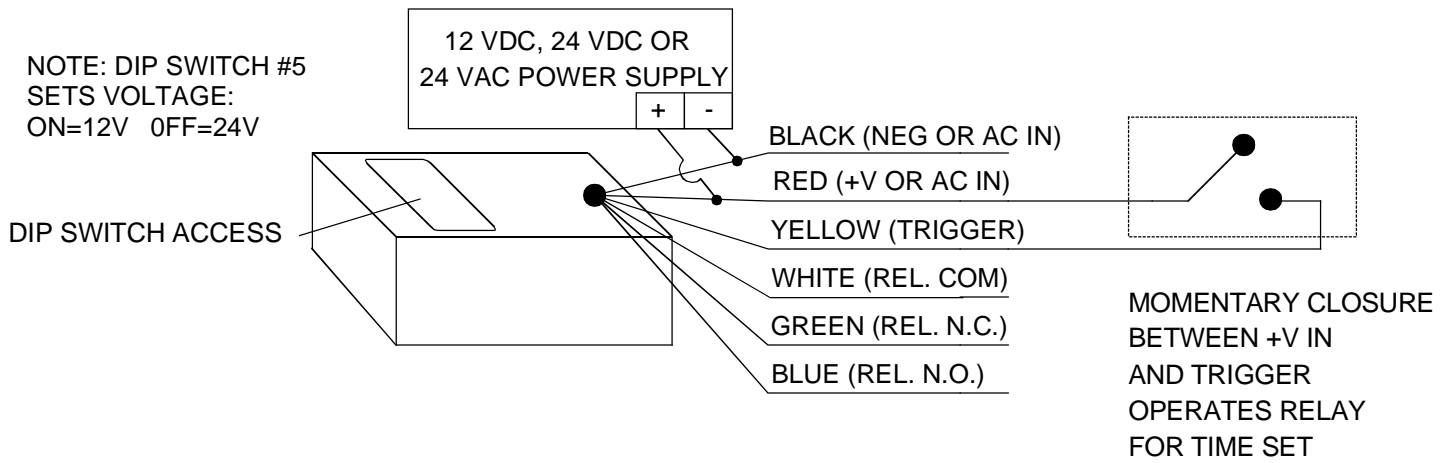
**Voltage selection and time setting** are all accomplished by use of the five dip-switches which are accessible on the unit. Dip-switch #5 selects the voltage: **ON=12V; OFF=24V**. Be sure you set this switch correctly as the **unit will be damaged** if it is set for 12 volts and operated on 24.

Four drawings are shown on the other side of this sheet. The first shows general operation of the unit which is valid for a broad range of uses. The second shows wiring for control of electric locks. Note that you use the blue or green wire for lock hookup depending on whether the lock is **fail secure** (released when energized) or **fail safe** (secure when energized). Note also that this connection is valid only when the same power supply operates the TimeMate and lock.

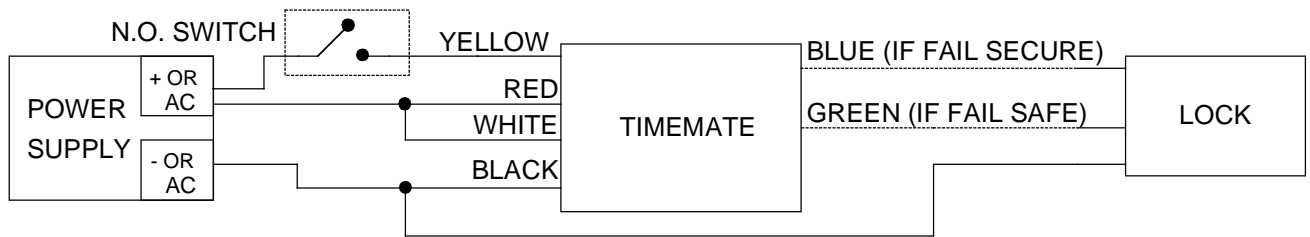
The third drawing shows a more reliable way of wiring DC fail safe locks. We call this “double break” wiring. It does require the use of an SPDT switch as the drawing shows. Power to the lock is routed through the switch's NC contacts as well as through the TimeMate's NC relay contacts. When the TimeMate is triggered from the switch's NO contacts, the relay breaks power to the lock. The switch itself also breaks power to the lock which is why this connection procedure is called “double break”. The advantage is that should the timer fail for any reason, the door can still be released from the switch for 2 handed exit until the timer can be replaced.

The fourth drawing shows time setting. Note the five position dip switch. Be sure you can identify the ON/OFF state of each switch. ON is towards the numbers. Switches 1-4 can be set in 16 different combinations (matrixes) which yield 16 different delay times, in seconds, as are shown in the chart. The **factory set value is 5 seconds** which is displayed in the drawing. **Note that actual time can vary by about 10% from the “nominal” time** which is displayed, so test the unit prior to completing the installation. If it is “fast” or “slow”, you can choose the adjacent Dip Switch Matrix setting to yield the exact time you require.

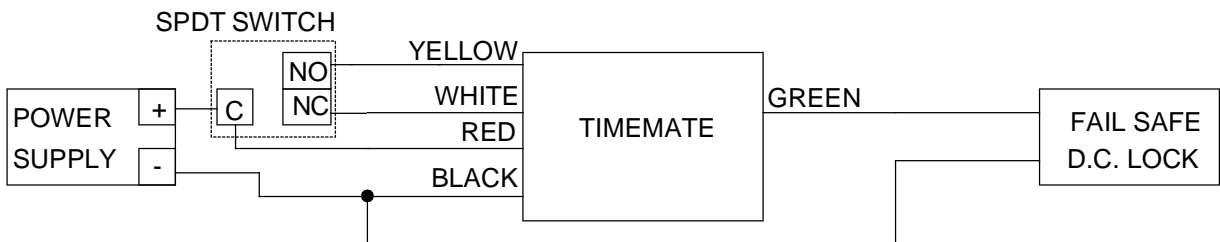
### TIMEMATE: GENERAL OPERATION



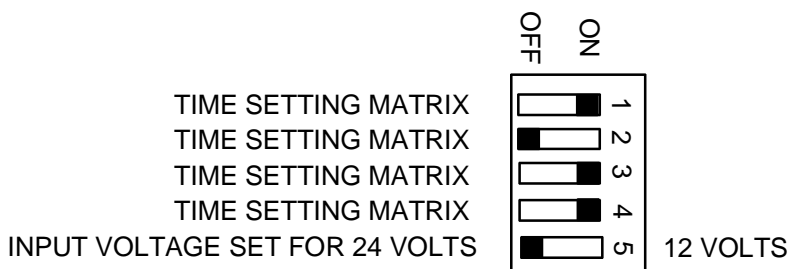
### TIMEMATE: 12 VDC, 24 VDC OR 24 VAC ELECTRIC LOCK CONTROL



### TIMEMATE: DOUBLE BREAK WIRING FOR FAIL SAFE DC LOCK



### TIMEMATE: DIGITAL TIME SETTING



NOTE: FACTORY SET 5 SECOND DELAY IS SHOWN IN DRAWING

SW#1	SW#2	SW#3	SW#4	TIME
ON	ON	ON	ON	2
OFF	ON	ON	ON	4
ON	OFF	ON	ON	5
OFF	OFF	ON	ON	7
ON	ON	OFF	ON	12
OFF	ON	OFF	ON	15
ON	OFF	OFF	ON	16
OFF	OFF	OFF	ON	18
ON	ON	ON	OFF	20
OFF	ON	ON	OFF	22
ON	OFF	ON	OFF	24
OFF	OFF	ON	OFF	25
ON	ON	OFF	OFF	30
OFF	ON	OFF	OFF	32
ON	OFF	OFF	OFF	34
OFF	OFF	OFF	OFF	36